

# CCS Technical Documentation

## NSM-9DX Series Transceivers

# Service Tools

**Table of Contents**

	Page No
JBV-1 Docking Station and MJF-6 Adapter .....	4
Product Code .....	4
MJS-46 Module Jig .....	6
Product Code .....	6
MJS-47 Soldering Jig .....	7
Product Code .....	7
FPS-8 Flash Prommer (Sales Pack) .....	8
Sales Package Code.....	8
FPS-8C Parallel Flash Prommer (Sales Pack) .....	9
Sales package code.....	9
ACF-8 Universal Power Supply .....	10
Product Code .....	10
FLA-18 POS (Point Of Sale) Flash Loading Adapter .....	11
Product Code .....	11
FLC-2 DC Cable .....	12
Product Code .....	12
AXS-4 Service Cable .....	13
Product Code .....	13
XCS-1 Service Cable .....	14
Product Code .....	14
SW Security Device PKD-1 .....	15
Product Code .....	15
FLS-4 POS (Point Of Sale) Flash Device (Sales Pack) .....	16
Product Code .....	16
PCS-1 Power Cable .....	17
Product Code .....	17
XRF-1 RF Cable .....	18
Product Code .....	18
DAU-9S MBUS Cable .....	19
Product Code .....	19
SCB-3 DC Cable .....	20
Product Code .....	20
XCS-4 Modular Cable .....	21
Product Code .....	21
Printer Cable .....	22
Product Code .....	22

**Page No**

---

**List of Figures**

	<b>Page No</b>
Fig 1 View of JBV-1 and MJF-6 together .....	5
Fig 2 View of MJS-46 .....	6
Fig 3 View of MJS-47 .....	7
Fig 4 View of FPS-8 .....	8
Fig 5 View of FPS-8C .....	9
Fig 6 View of ACF-8 .....	10
Fig 7 View of FLA-18 .....	11
Fig 8 View of FLC-2 .....	12
Fig 9 View of AXS-4 .....	13
Fig 10 View of XCS-1 .....	14
Fig 11 View of SW Security Device .....	15
Fig 12 View of FLS-4 .....	16
Fig 13 View of PCS-1 .....	17
Fig 14 View of XRF-1 .....	18
Fig 15 View of DAU-9S .....	19
Fig 16 View of SCB-3 .....	20
Fig 17 View of XCS-4 .....	21
Fig 18 View of Printer Cable .....	22

## JBV-1 Docking Station and MJF-6 Adapter

The JBV-1 Docking Station has been designed for calibration and software update use. The MJF-6 Docking Station Adapter makes signal connections to the phone. JBV-1 and MJF-6 are used as one unit.

JBV-1 main electric functions are:

- adjustable VBATT calibration voltage, current measurement limit voltage "VCHAR", current measurement calibration current "ICHAR"
- adjustable ADC calibration voltage via BTEMP and BSI signal
- BTEMP and BSI calibration resistor
- signals from FBUS to the phone via parallel jig
- control via FBUS or USB
- Flash OK/FAIL indication

In the calibration mode, the JBV-1 is powered by an external power supply 11-16V DC. During flashing, power for the phone can be taken from the FPS-8 or from an external power supply 11-16V DC.

The MJF-6's main electric functions are:

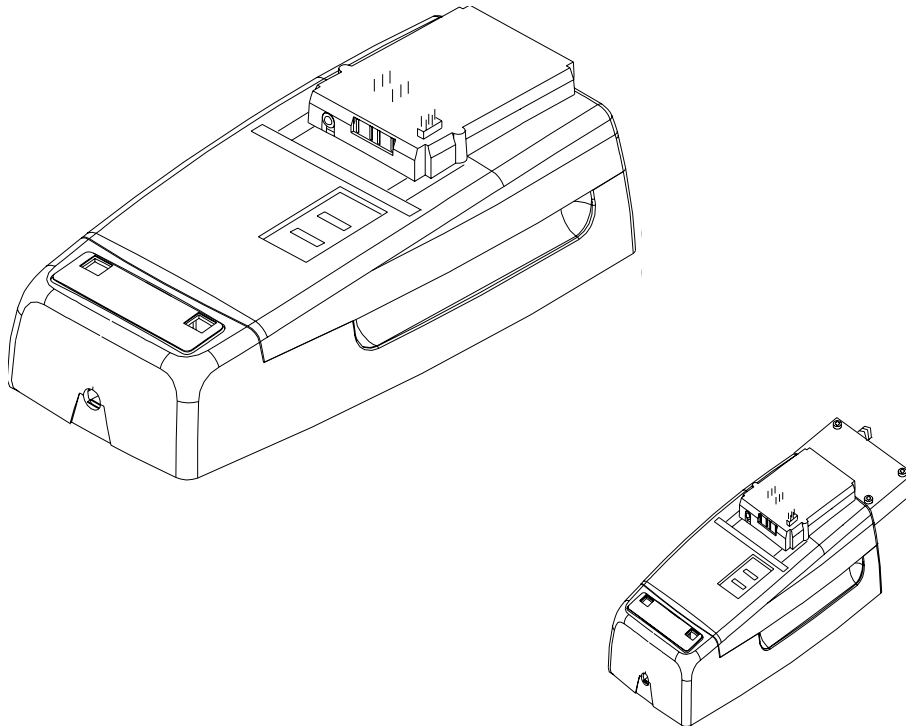
- phone recognizing from BTEMP
- filters of FBUS signals
- SIM CARD reader

### Product Code

JBV-1 Docking Station: 0770298

MJF-6 Docking Station Adapter: 0770317

Figure 1: View of JBV-1 and MJF-6 together



CPL-9 RF-Coupler: 0770529

CPL-9 is used with JBV-1 and MJF-6 for making RF coupler connection from the phone to the measurement equipment.

## MJS-46 Module Jig

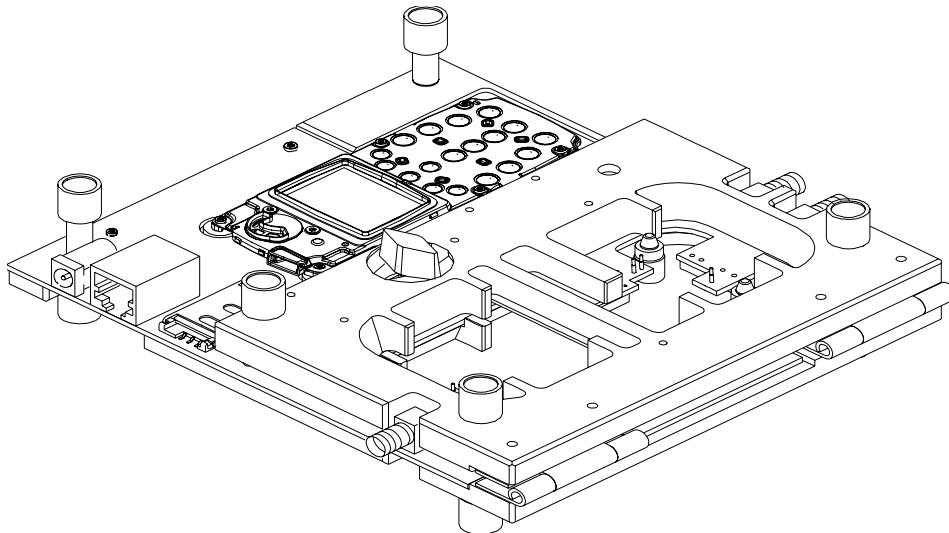
The MJS-46 Module Jig is used for testing of UI/system/RF-module\*.

### Product Code

MJS-46 Module Jig:

0770316

Figure 2: View of MJS-46



*\*Note: The nominal supply voltage for MJS-46 is +8.0 V. The supply voltage must not exceed +12.0 V (min. 5V). (MJS-46 has overvoltage protection). For flashing with FPS-8, it is possible to bypass the regulator with a jumper. Then the supply voltage must not exceed 5.2 V.*

## MJS-47 Soldering Jig

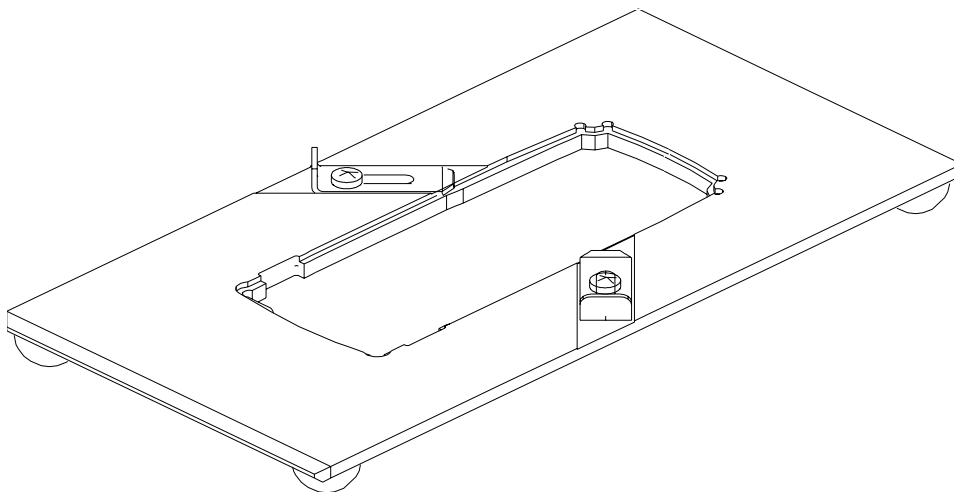
The Soldering Jig MJS-47 is used for soldering and as a rework jig for system module.

### Product Code

MJS-47 Module Jig:

0770342

Figure 3: View of MJS-47



## FPS-8 Flash Prommer (Sales Pack)

The Flash Prommer FPS-8 is used with e.g. FLA-18 and JBV-1. Power is supplied to FPS-8 from the Universal Power Supply.

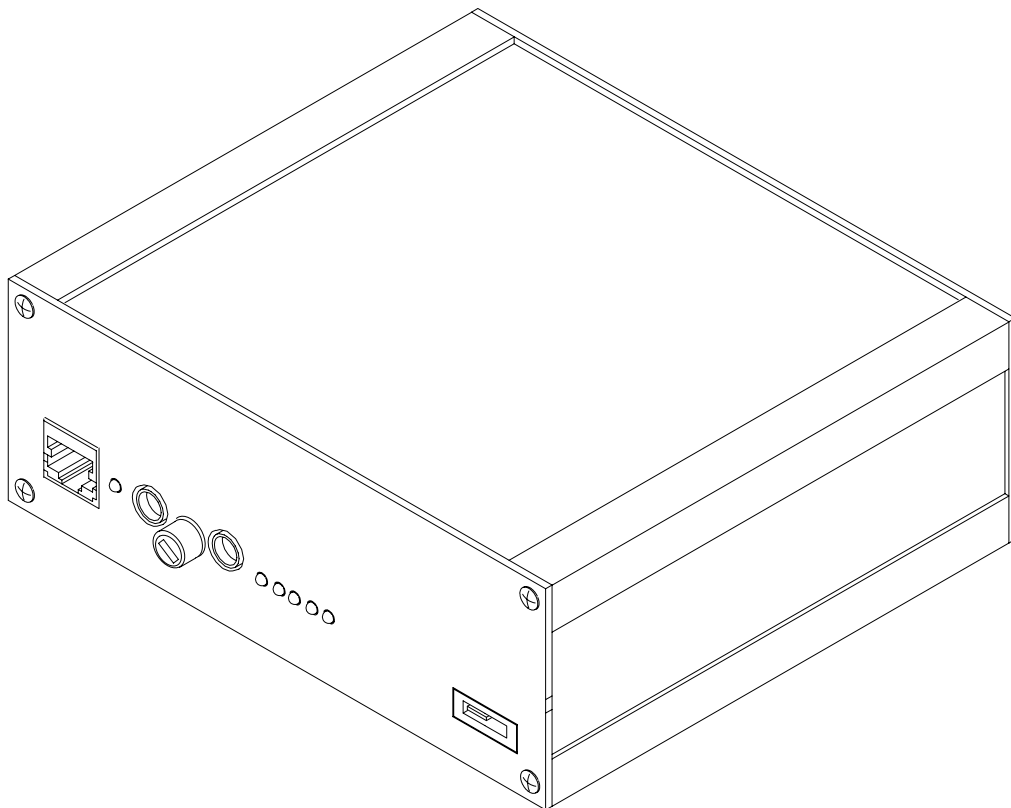
The sales pack includes:

- FPS-8 Flash Prommer 0750123
- FPS-8 Activation Sheet 9359289
- Universal Power Supply 0680032
- AXS-4 Service Cable (D9-D9) 0730090
- Printer cable 073F000

### Sales Package Code

FPS-8 Flash Prommer: 0080321

Figure 4: View of FPS-8





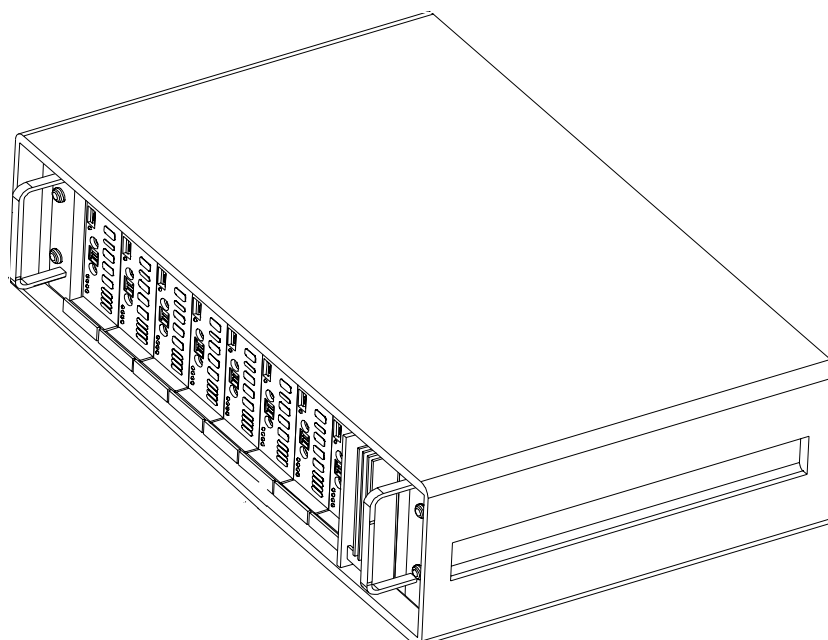
## FPS-8C Parallel Flash Prommer (Sales Pack)

The Parallel Flash Prommer FPS-8C is used with MJF-6 and JBV-1. Flash programming can be done to maximum of 8 phones parallel. FPS-8C consists of eight SF11C programming cards. SF11C card is functionally identical to FPS-8.

### Sales package code

FPS-8C Parallel Flash Prommer: 0080396

Figure 5: View of FPS-8C



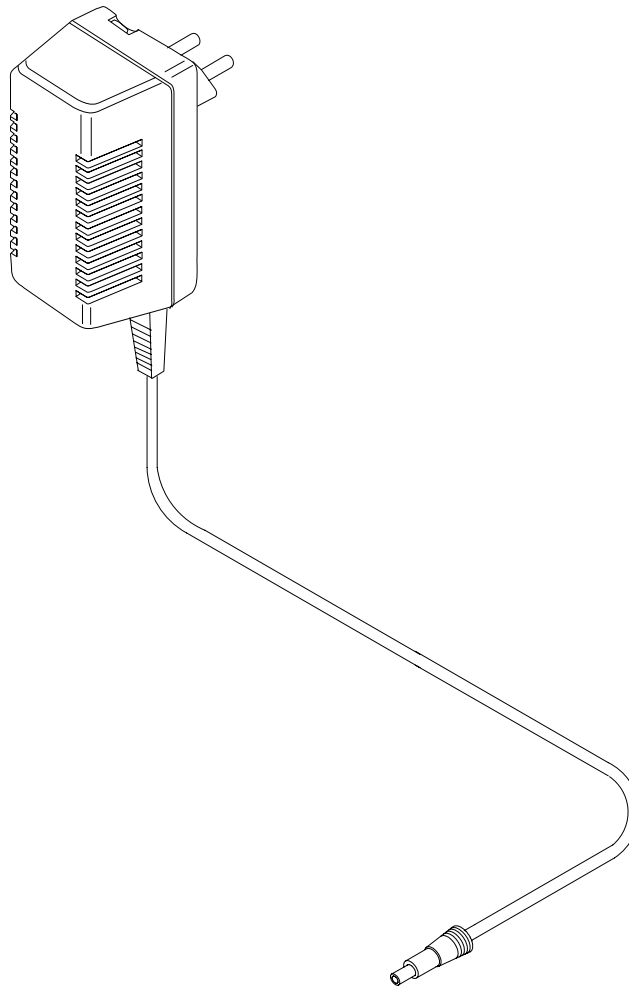
## ACF-8 Universal Power Supply

ACF-8 Universal Power Supply is used to power FPS-8. ACF-8 has 6 V DC and 2.1 A output.

### Product Code

ACF-8 Universal Power Supply: 0680032

Figure 6: View of ACF-8



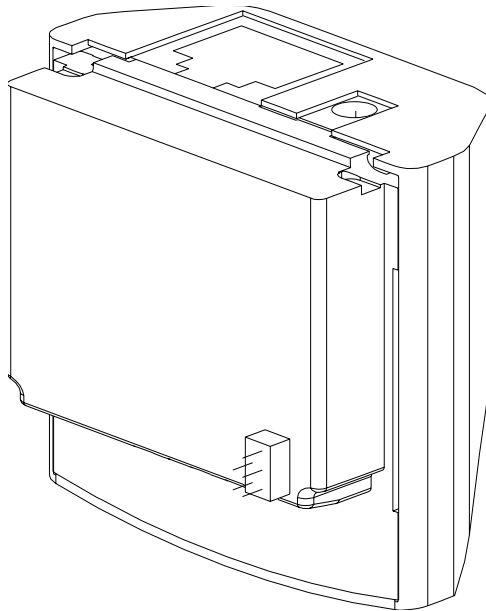
**FLA-18 POS (Point Of Sale) Flash Loading Adapter**

The POS Flash Loading Adapter FLA-18 is used in place of the phone's normal battery during service, to supply a controlled operating voltage.

**Product Code**

FLA-18 POS Flash Loading Adapter:

0770318

**Figure 7: View of FLA-18**

## FLC-2 DC Cable

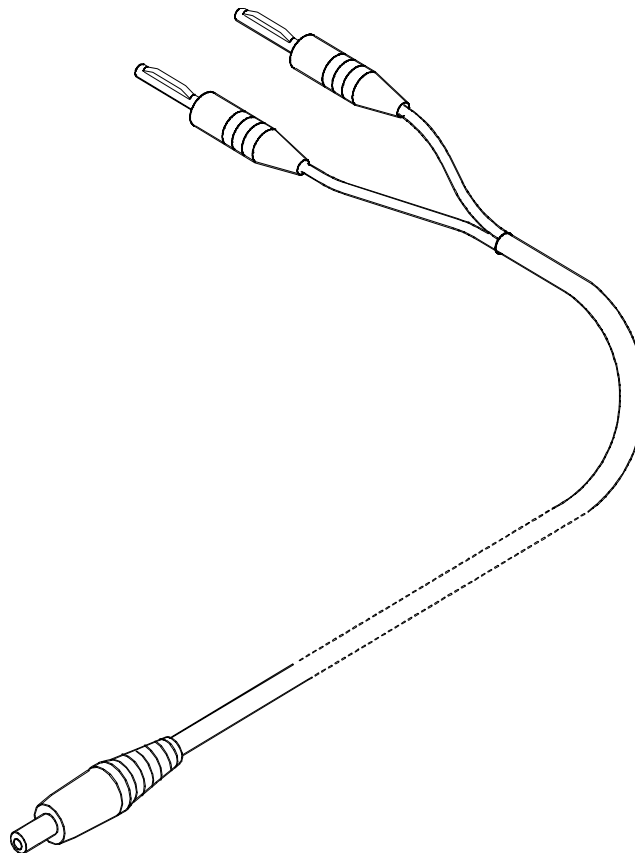
The FLC-2 is used to supply a controlled operating voltage.

### Product Code

FLC-2 DC Cable:

0730185

Figure 8: View of FLC-2



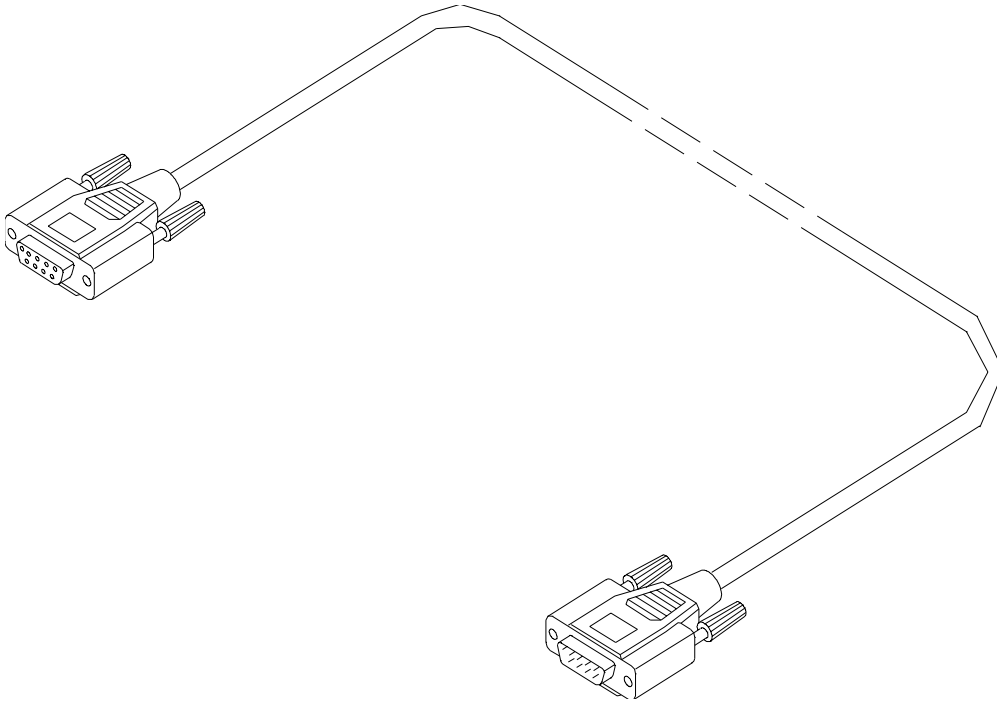
**AXS-4 Service Cable**

The AXS-4 D9-D9 Service Cable is used to connect two 9 pin D connectors e.g. between PC and FPS-8. Cable length is 2 meters.

**Product Code**

AXS-4 D9-D9 Service Cable: 0730090

Figure 9: View of AXS-4



## XCS-1 Service Cable

The XCS-1 Service Cable is used to connect FLS-4 to FLA-18.

### Product Code

XCS-1 Service Cable: 0730218

Figure 10: View of XCS-1



## SW Security Device PKD-1

SW security device is a piece of hardware enabling the use of the service software when connected to the parallel (LPT) port of the PC. Without the dongle present it is not possible to use the service software. Printer or any such device can be connected to the PC through the dongle if needed.

*Caution: Make sure that you have switched off the PC and the printer before making connections!*

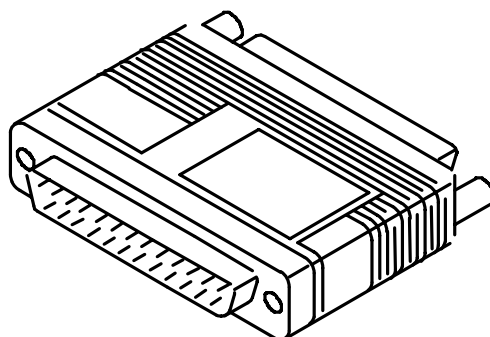
*Caution: Do not connect the PKD-1 to the serial port. You may damage your PKD-1.*

### Product Code

SW Security Device PKD-1:

0750018

Figure 11: View of SW Security Device



### FLS-4 POS (Point Of Sale) Flash Device (Sales Pack)

FLS-4 is a dongle and flash device incorporated into one package, developed specifically for POS use.

#### Product Code

Sales Pack - Europe/Africa	0081483
Sales Pack -APAC	0081481
Sales Pack -Americas	0081482

Figure 12: View of FLS-4





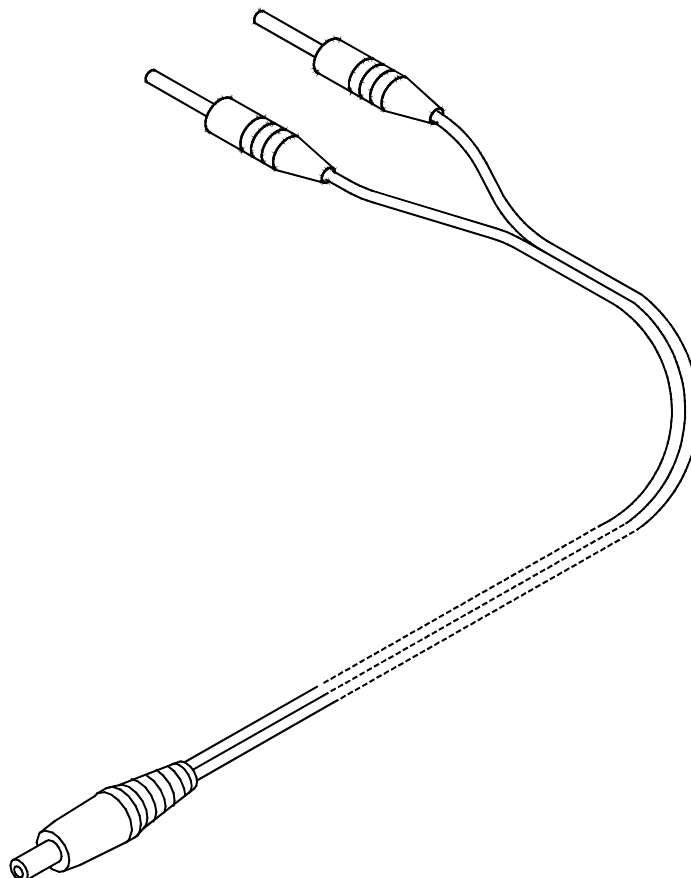
**PCS-1 Power Cable**

The PCS-1 Power Cable (DC) is used to connect, for example, JBV-1 to FPS-8.

**Product Code**

PCS-1 Power Cable:

0730012

**Figure 13: View of PCS-1**

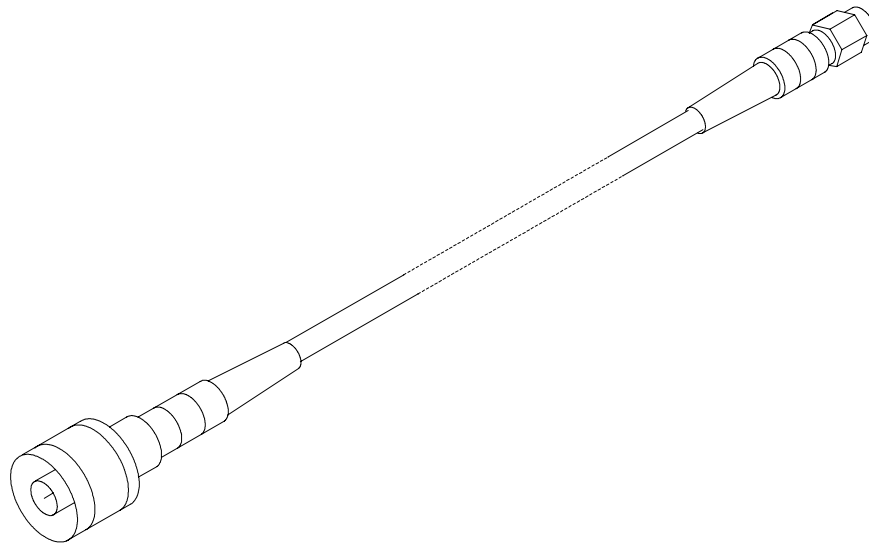
## XRF-1 RF Cable

RF cable XRF-1 is used to connect, for example, the Module Jig MJS-46 to the RF measurement equipment.

### Product Code

XRF-1 RF Cable: 0730085

Figure 14: View of XRF-1



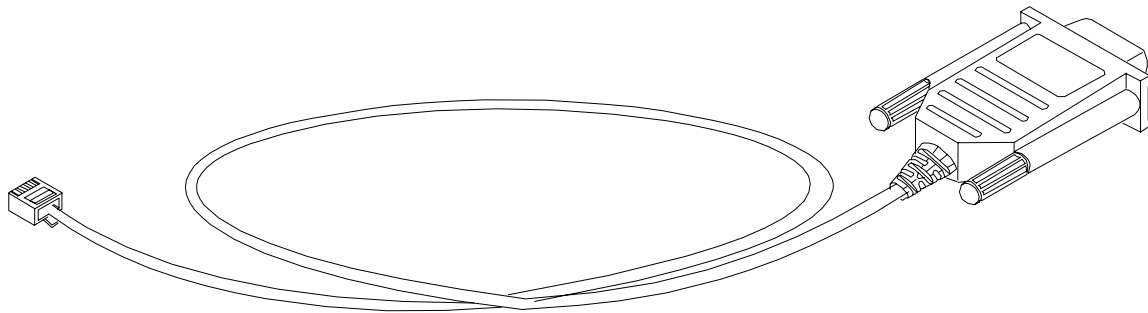
**DAU-9S MBUS Cable**

The MBUS Cable DAU-9S has a modular connector, and is used with between PC's serial port and, for example, the Module Jig MJS-46.

**Product Code**

DAU-9S MBUS Cable:

0730108

**Figure 15: View of DAU-9S**

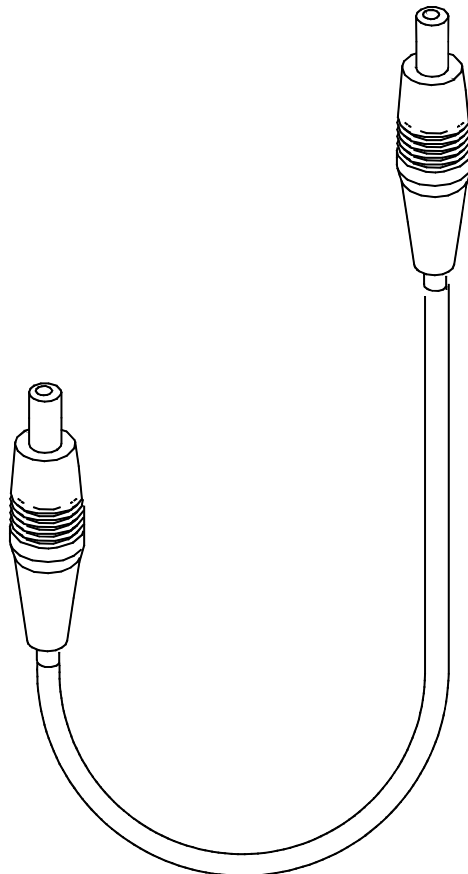
### SCB-3 DC Cable

The DC Cable SCB-3 is used to connect, for example, the JBV-1 to the phone.

#### Product Code

SCB-3 DC Cable: 0730114

Figure 16: View of SCB-3



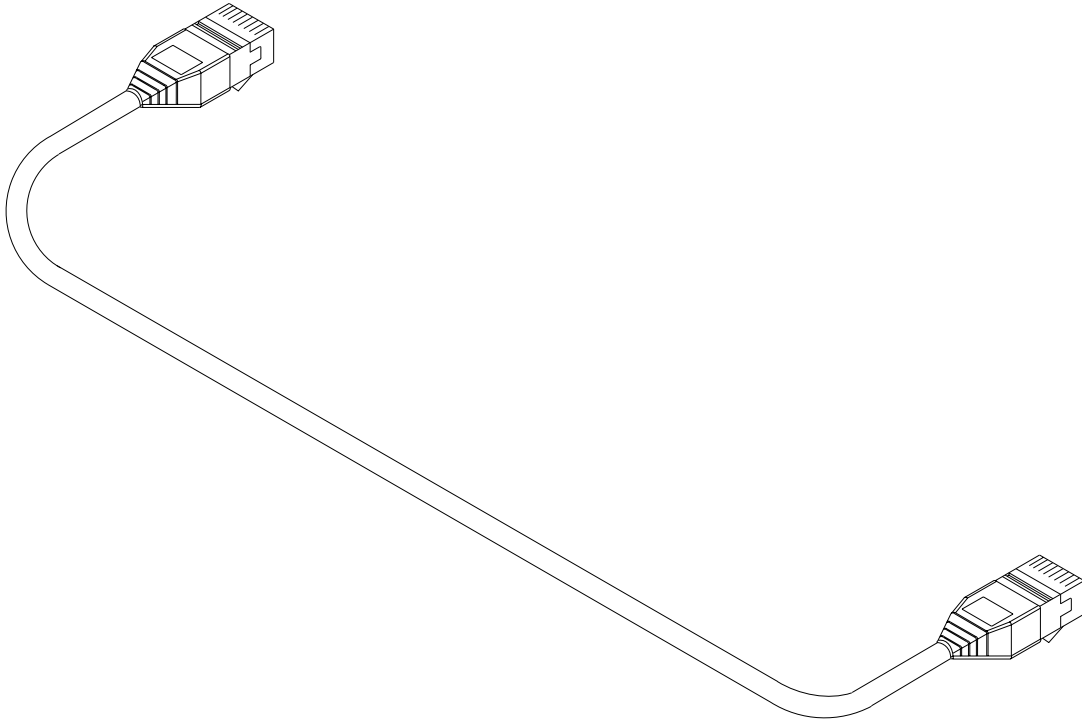
**XCS-4 Modular Cable**

XCS-4 is a shielded cable (one specially shielded conductor) modular cable for flashing and service purposes.

**Product Code**

XCS-4 Modular Cable:

0730178

**Figure 17: View of XCS-4**

## Printer Cable

This cable is used to connect the PC to FPS-8.

### Product Code

Printer Cable: 073F000

Figure 18: View of Printer Cable

